



PISTON COMPRESSOR

Pro-Series



Built to Last

www.emaxpowers.com



COMPANY PROFILE

EMAX is a leading supplier & exporter specializing in high quality professional air piston and screw compressor ,with companies in Shanghai & Taiwan.



Frank Sun

The founder of EMAX Mr Frank Sun started the pneumatic career in 1986 after his bachelor degree of mechanical engineering at Feng Chia University in Taiwan.

EMAX has an experienced team with 25 staff in Shanghai and 5 staffs in Taiwan plus partners located in Shanghai, Zhejiang & Jiangsu.

EMAX provides product development, quality control, sourcing, purchasing and logistics services. We held patents, tooling and certificates (compressor and pressure vessel)

Together we can create a better AIR future together !



AS1210 EAC



Australia USA Latin America Mideast Europe

CONTENTS

Heavy Duty Piston Air Compressor -----	01
Heavy Duty Piston Air Compressor with LB Pump -----	03
LB Air Pump -----	04
Petro Tube Compressor -----	06
STD Oil Free Direct -----	07
Equivalent to Belt Driven Systems (Oil Free) -----	08
Oil Free Cabinet Compressor -----	09
2-25HP Oil Free Air Compressor -----	11



HEAVY DUTY AIR COMPRESSOR

EMAX

CE Certified

10 Bar pump

Condor Pressure Switch



EMAX HEAVY DUTY AIR COMPRESSOR



Model No.	Power (HP)	Phase	Max.pressure (Bar)	Displacement (L/Min)	RPM	Tank (L)	Weight (Kg)
TB-30.50-1PH-10	3	ø1	10	420	1180	50	80
TB-30.50-3PH-10	3	ø3	10	420	1180	50	78
TB-30.90.V-3PH-10	3	ø3	10	420	1180	90Verical	107
TB-30.90-1PH-10	3	ø1	10	420	1180	90	78
TB-30.200-1PH-10	3	ø1	10	420	1180	200	126
TB-30.200-3PH-10	3	ø3	10	420	1180	200	124
TB-40.200-3PH-10	4	ø3	10	580	1200	200	140
TB-50.90-3PH-10	5	ø3	10	690	1145	90	130
TB-50.250-3PH-10	5	ø3	10	690	1145	250	180
TB-50.250.V-3PH-10	5	ø3	10	690	1145	250Verical	180
TB-75.90-3PH-10	7.5	ø3	10	950	1050	90	143
TB-75.250-3PH-10	7.5	ø3	10	950	1050	250	195
TB-75.250.V-3PH-10	7.5	ø3	10	940	1050	250Verical	195

BIG AIR FLOW!

LB AIR PUMP

Model No.	Power (HP)	Phase	Max. pressure (Bar)	Displacement (L/Min)	RPM	Tank (L)
TB-100.300-3PH-10	10	3Φ	10	1217	850	300
TB-100.300-3PH-12	10	3Φ	12	1119	900	300
TB-100.300-3PH-15	10	3Φ	15	1119	900	300
TB-100.500-3PH-10	10	3Φ	10	1217	850	500
TB-100.500-3PH-12	10	3Φ	12	1119	900	500
TB-100.500-3PH-15	10	3Φ	15	1119	900	500



the leader

OPTION:





LB SERIES AIR PUMP

LB 100A

LB 100AT



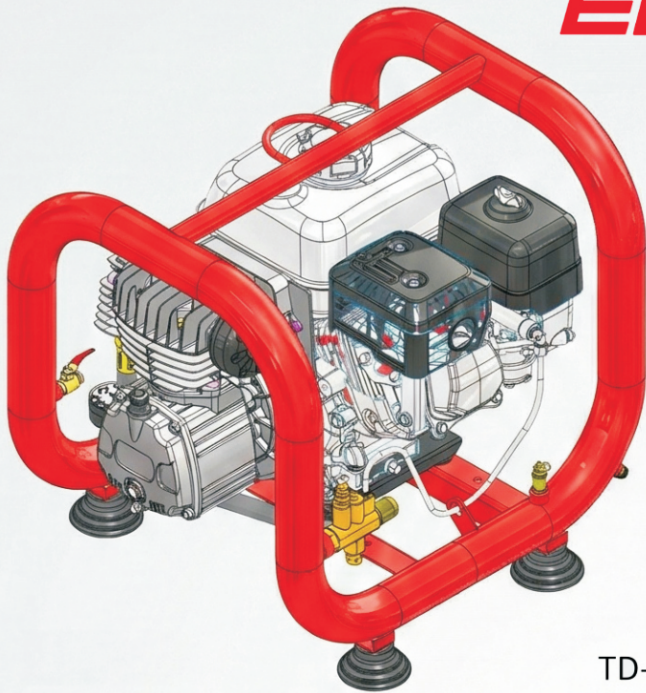


LB SERIES AIR PUMP

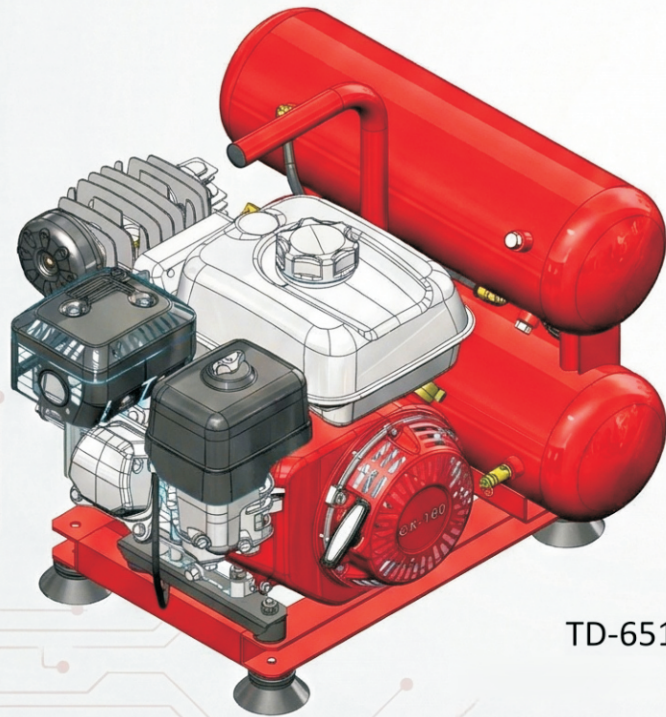
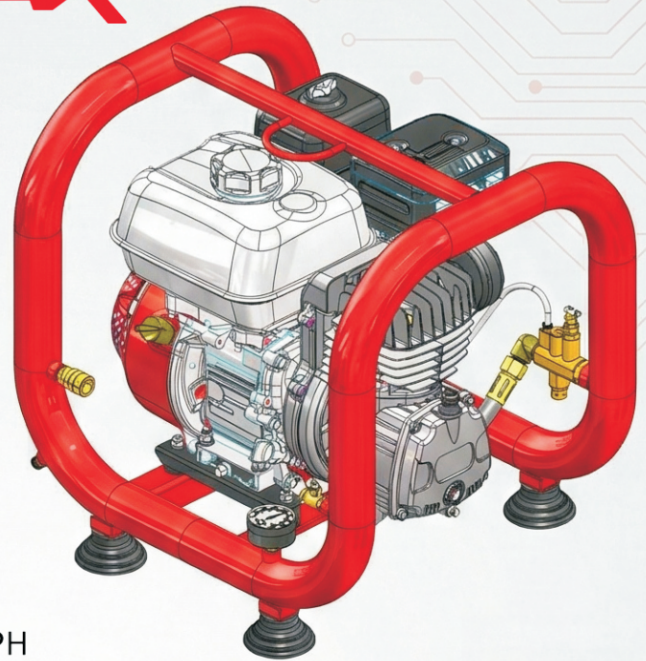
Model No.	Power (HP)	Stage	No. of cylinder	Max. pressure (Bar/PSI)	Displacement (L/Min/CFM)	RPM	Net Weight (KGS)	Package size (cm)
LB30	3	1	2	10/145	366/12.9	1200	19.3	40X30X35
LB40	4	1	3	10/145	549/19.4	1150	24.3	47X31X39
LB50	5	1	2	10/145	694/24.5	1150	39	52X37X49
LB50T	5	2	2	12/175	445/15.7	1050	38	52X37X49
LB75	7.5	1	3	10/145	905/32	1000	47.5	62X43X53
LB75T	7.5	2	3	12/175	773/27.3	1000	46.5	62X43X53
LB100A	10	1	3	10/145	1217/43	850	62.6	67X40X66
LB100AT	10	2	3	12/175	1119/39.5	900	61.6	67X40X66
LB100AT	10	2	3	15/217	1119/39.5	900	61.6	67X40X66

Petrol Tube Compressor

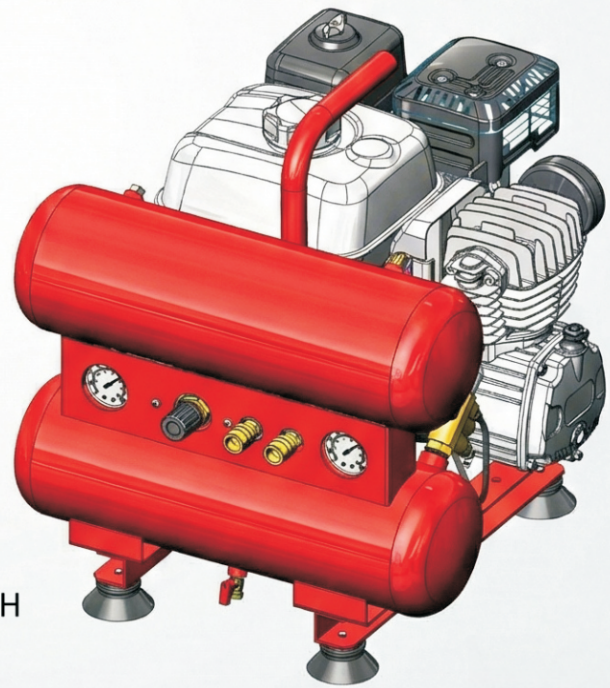
EMAX



TD-6505PH



TD-6516TPH



Power by **HONDA**

Model No.	Working Pressure (Bar)	Engine	Cylinder Bore (mm)	Stroke (mm)	RPM	FAD (L/MIN)	TANK (Liter)	N.W (KG)
TD-6516TPH	10	GX200	47	42	3300	219	16	40
TD-6505PH	10	GX200	47	42	3300	219	5	36



Clean & Quiet



Model No.	Power	Vol./Fre.	Tank	RPM	Air delivery	Max. pressure	Noise
TAT-15.09-1PH-8	900W	230V/50Hz/1Φ	9L	2800	167L/Min	8Bar/115PSI	72dBA
TAT-15.25-1PH-8	900W	230V/50Hz/1Φ	25L	2800	167L/Min	8Bar/115PSI	72dBA
TAT-20.50-1PH-8	1400W	230V/50Hz/1Φ	50L	2800	254L/MIN	8Bar/115PSI	78dBA
TAT-30.50-1PH-8	900W*2	230V/50Hz/1Φ	50L	2800	334L/MIN	8Bar/115PSI	78dBA
TAT-40.50-1PH-8	1400W*2	230V/50Hz/1Φ	50L	2800	508L/MIN	8Bar/115PSI	80dBA
TAT-60.90-1PH-8	1400W*3	230V/50Hz/1Φ	90L	2800	762L/MIN	8Bar/115PSI	84dBA
TAT-80.200-1PH-8	1400W*4	230V/50Hz/1Φ	200L	2800	1016L/MIN	8Bar/115PSI	86dBA



THE FUTURE OF AIR TECHNOLOGY

EQUIVALENT TO BELT DRIVEN PISTON COMPRESSOR

High Air Flow



MODEL: TAT-30.50-1PH-10
WORKING PRESSURE: 8Bar
VOL./Hz: 230V/50Hz
CURRENT: 10A
MOTOR POWER: 2200W
RPM: 2900
DISPLACEMENT: 208L/Min@8BAR
398L/Min
TANK:50L

MODEL: TAT-60.50-1PH-10
WORKING PRESSURE: 8Bar
VOL./Hz: 230V/50Hz
CURRENT: 20A
MOTOR POWER: 2 * 2200W
RPM: 2900
DISPLACEMENT: 416L/Min@8BAR
796L/Min
TANK:50L



EMAX SILENT AIR COMPRESSOR

Premium Oil-Free Technology for Lab & Garage



LAB &
GARAGE USE



PURE AIR



MAINTENANCE
FREE



EXTREME
SILENT



Experience the power of silence. Our advanced oil-free technology delivers ultra-pure air, air, making it perfect for sensitive laboratory applications and quiet garage environments. Engineered for reliability and minimal maintenance.



CABINET OIL FREE COMPRESSOR

Extremely
Low Noise

TAT-20.06-1PH-10



TAT-40.06-1PH-10



TAT-60.06-1PH-10

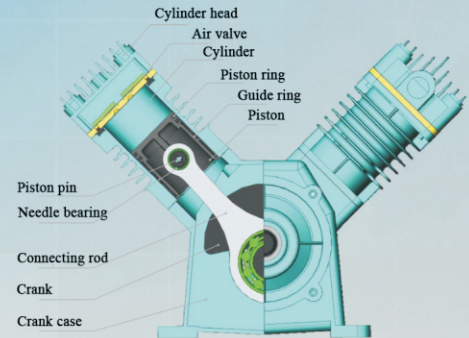


Model No.	Voltage/Frequency (V/Hz)	Current (Amp.)	Motor Input (KW)	Max. Working Pressure (bar/psi)	Air Displacement (L/Min)	Noise Level (db(A))
TAT-20.06-1PH-10	230/50	8	1.5	10/145	240	55
TAT-40.06-1PH-10	230/50	16	3	10/145	480	55
TAT-60.06-1PH-10	230/50	24	4.5	10/145	720	58

* Contactor & Relay for Sequential Startup

- Self-lubricated material
- Low noise and vibration
- Low maintenance cost
- Air cooling-Large fan

100% oil free



**IKO rolling bearing
SKF Lubricant**



Model No.	Power (HP)	No. of cylinder	RPM	Max. pressure (Bar/PSI)	Displacement (L/Min/CFM)	Dimension (cm)
TAT-2050	2	2	820	8/115	150/5.3	40X32X38
TAT-30100	3	2	560	8/115	220/7.77	60X35X55
TAT-55150	5.5	2	830	8/115	420/14.84	60X35X55
TAT-75250	7.5	3	840	8/115	600/21.2	70X40X60
TAT-100250	10	3	750	10/145	1000/35.33	75X48X65
TAT-150300	15	3	730	10/145	1200/42.40	85X60X75
TAT-200500	20	3	860	10/145	1500/53	85X60X75
TAT-250500	25	4	730	10/145	2000/70.67	90X65X75

A series of horizontal dotted lines for writing.



SINCE 2000

Your Business Partner

EMAX POWER (SHANGHAI) CO.,LTD

TEL: +86-21-59103323

MAIL: sales@emaxpowers.com

ADDRESS: No. 1409 JiaXin Road, MaLu Town, JiaDing District, Shanghai.

